

6

5

4

3

2

1

REVISION RECORD			
LTR	ECO NO.	APPROVED:	DATE:

D

D

C

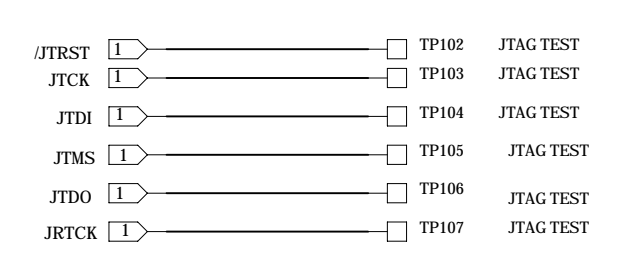
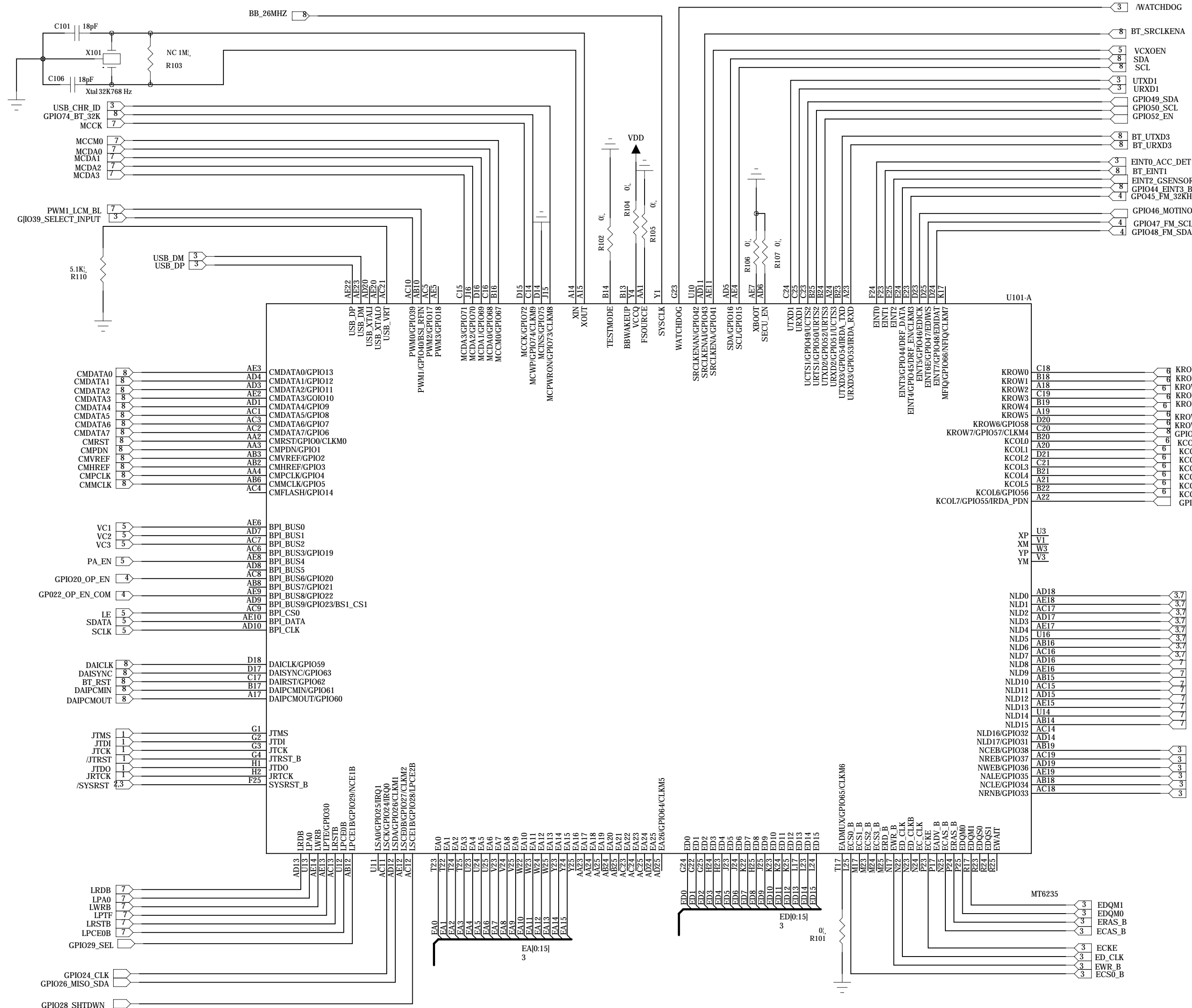
C

B

B

A

A



JTAG

COMPANY: **TINNO MOBILE TECHNOLOGY CO.,LTD**

TITLE: **E760 BB_MT6235_DIGITAL**

DRAWN: Yiyunjie	DATED: 20100208
CHECKED: MARK XIA	DATED: 20100210
QUALITY CONTROL: <QC By>	DATED: 20100208
RELEASED: mark xia	DATED: 20100210

E760		BB_MT6235_DIGITAL	
CODE: E760	SIZE: C	DRAWING NO: E760	REV: 0.1
SCALE: <Scale>			SHEET: 9

REVISION RECORD			
LTR	ECO NO:	APPROVED:	DATE:

D

D

C

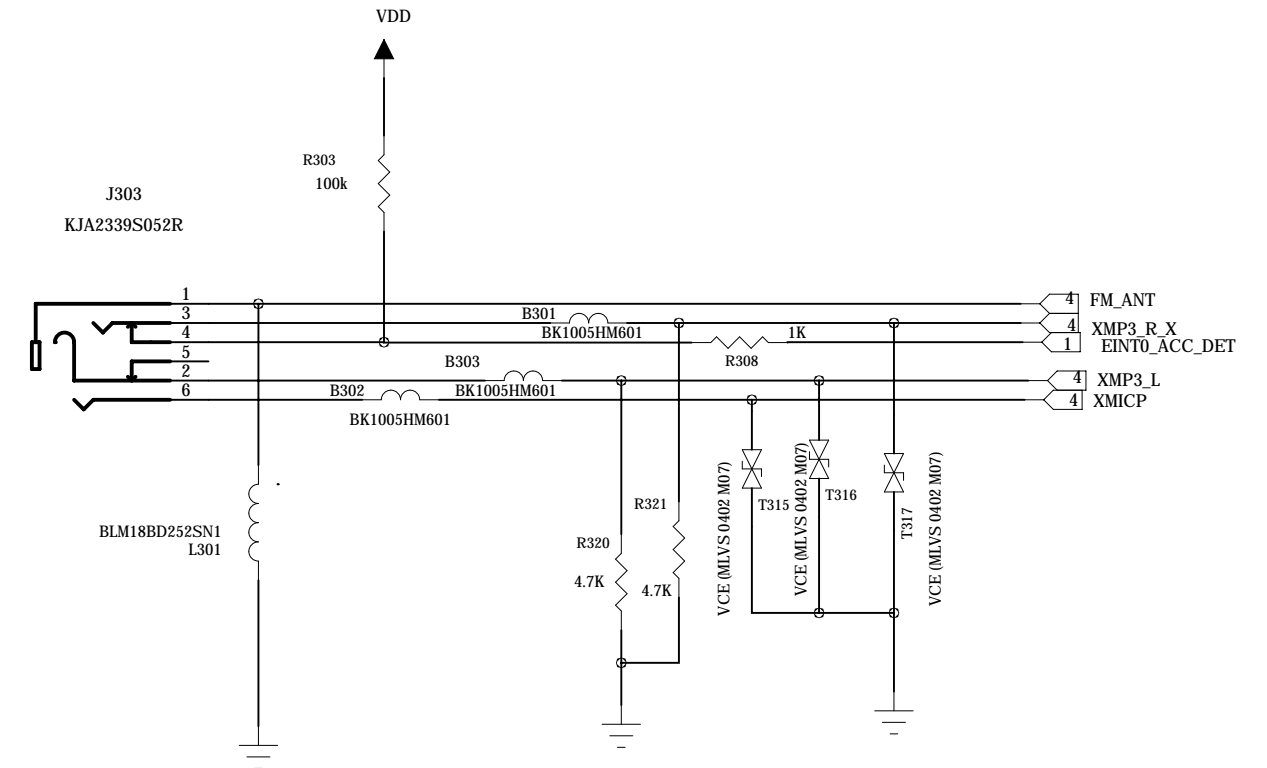
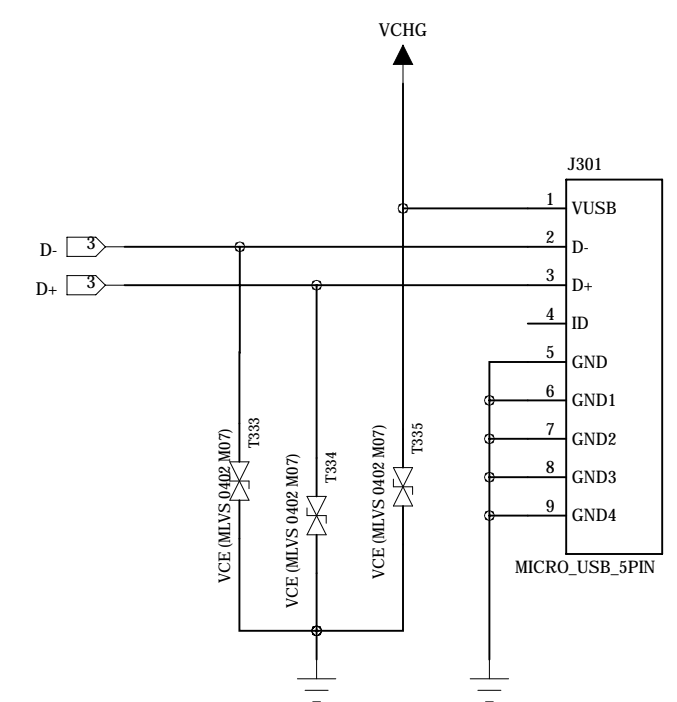
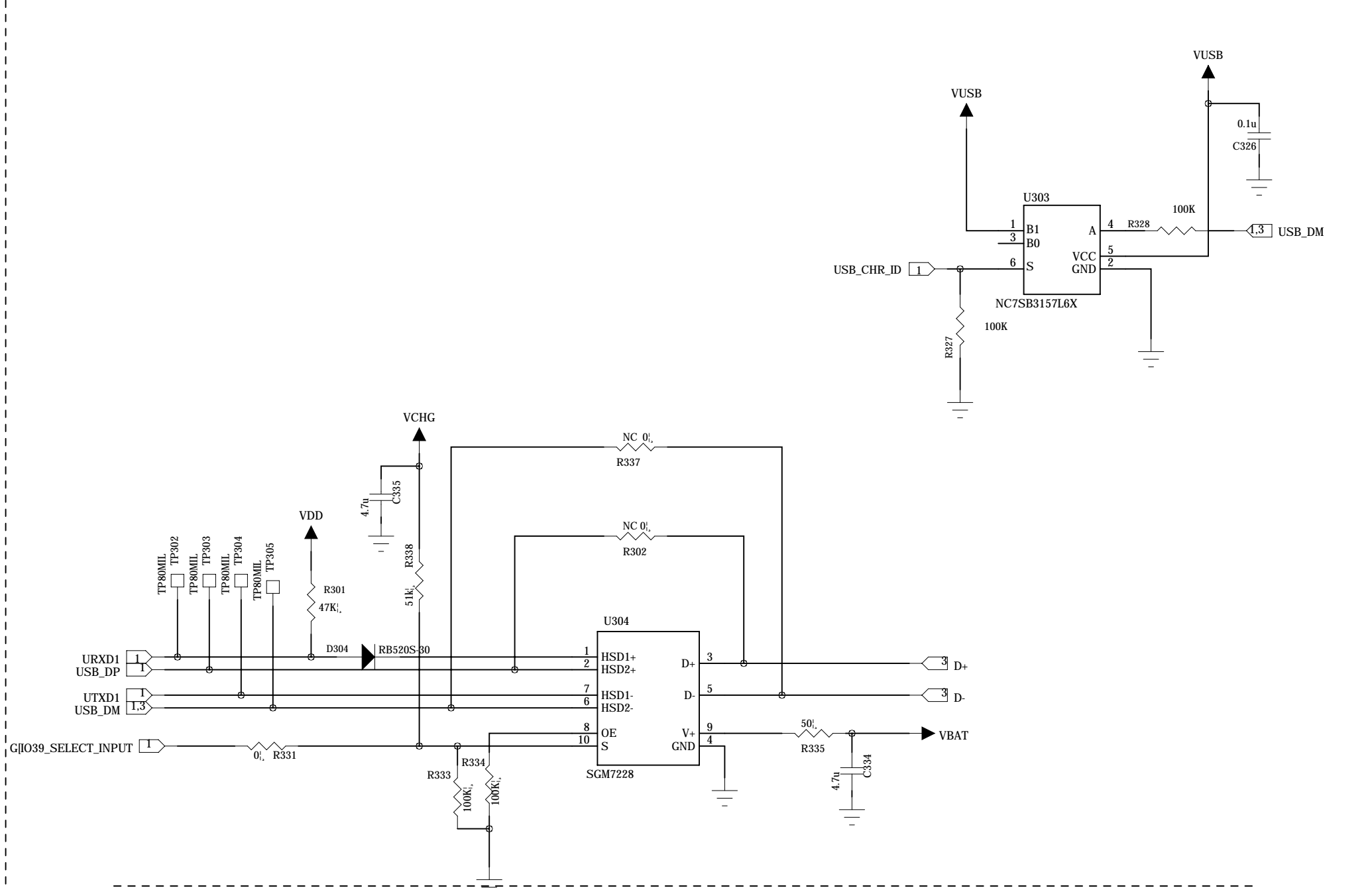
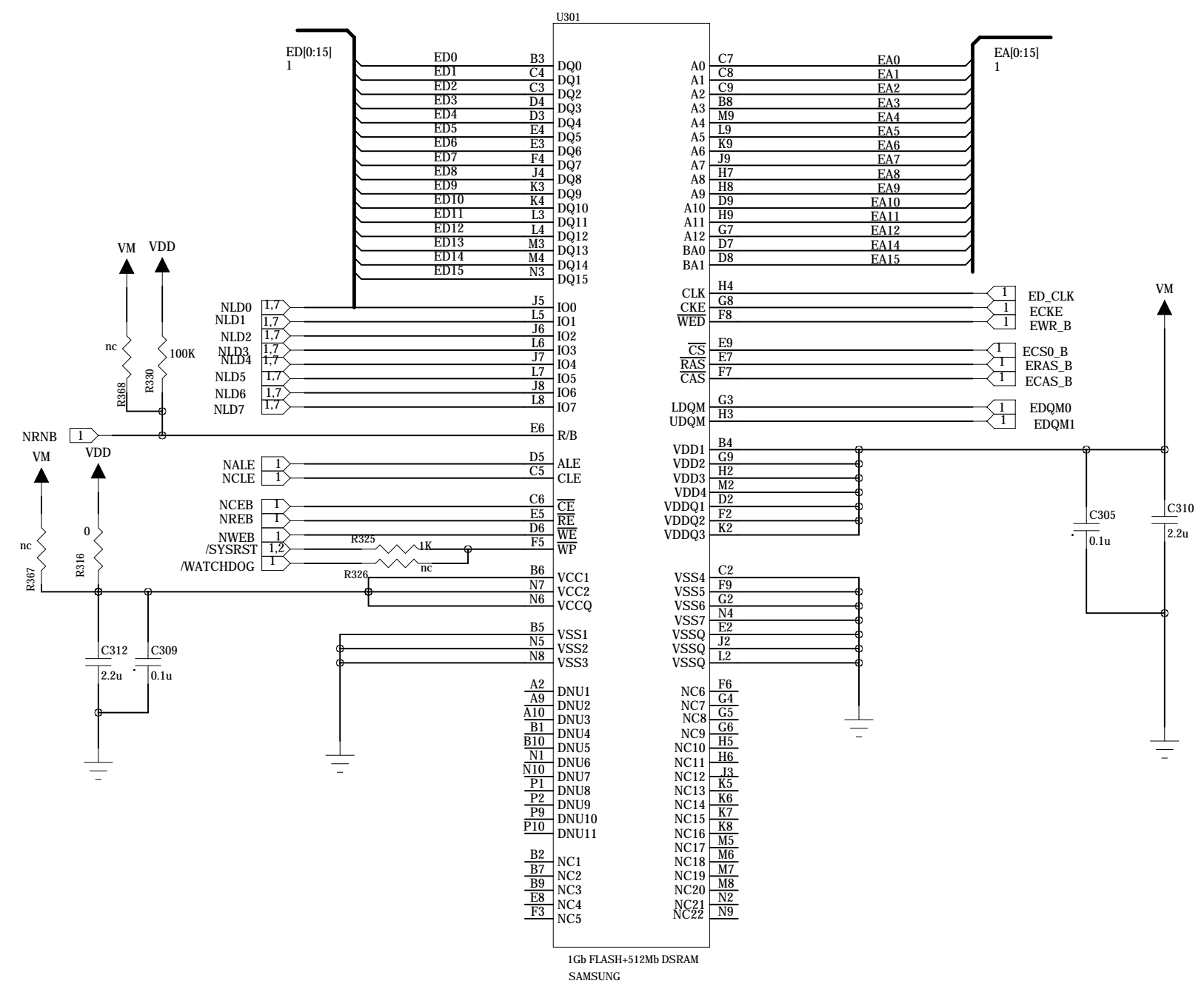
C

B

B

A

A



COMPANY: TINNO MOBILE TECHNOLOGY CO.,LTD			
TITLE: E760 MCM,TFR.IO			
CODE: E760	SIZE: C	DRAWING NO: E760	REV: 0.1
DRAWN: yiyunjie		DATED: 20100208	
CHECKED: MARK XIA		DATED: 20100210	
QUALITY CONTROL: <QC By>		DATED: 20100208	
RELEASED: mark xia		DATED: 20100210	
SCALE: <Scale>			SHEET: 3F 9

6

5

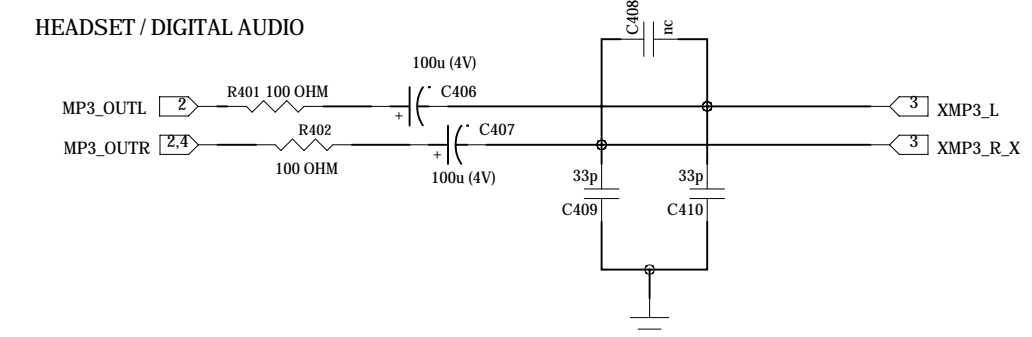
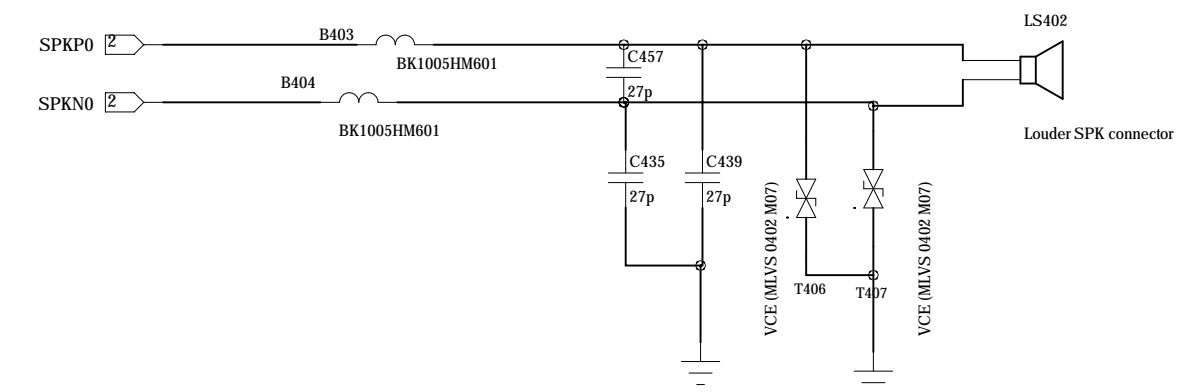
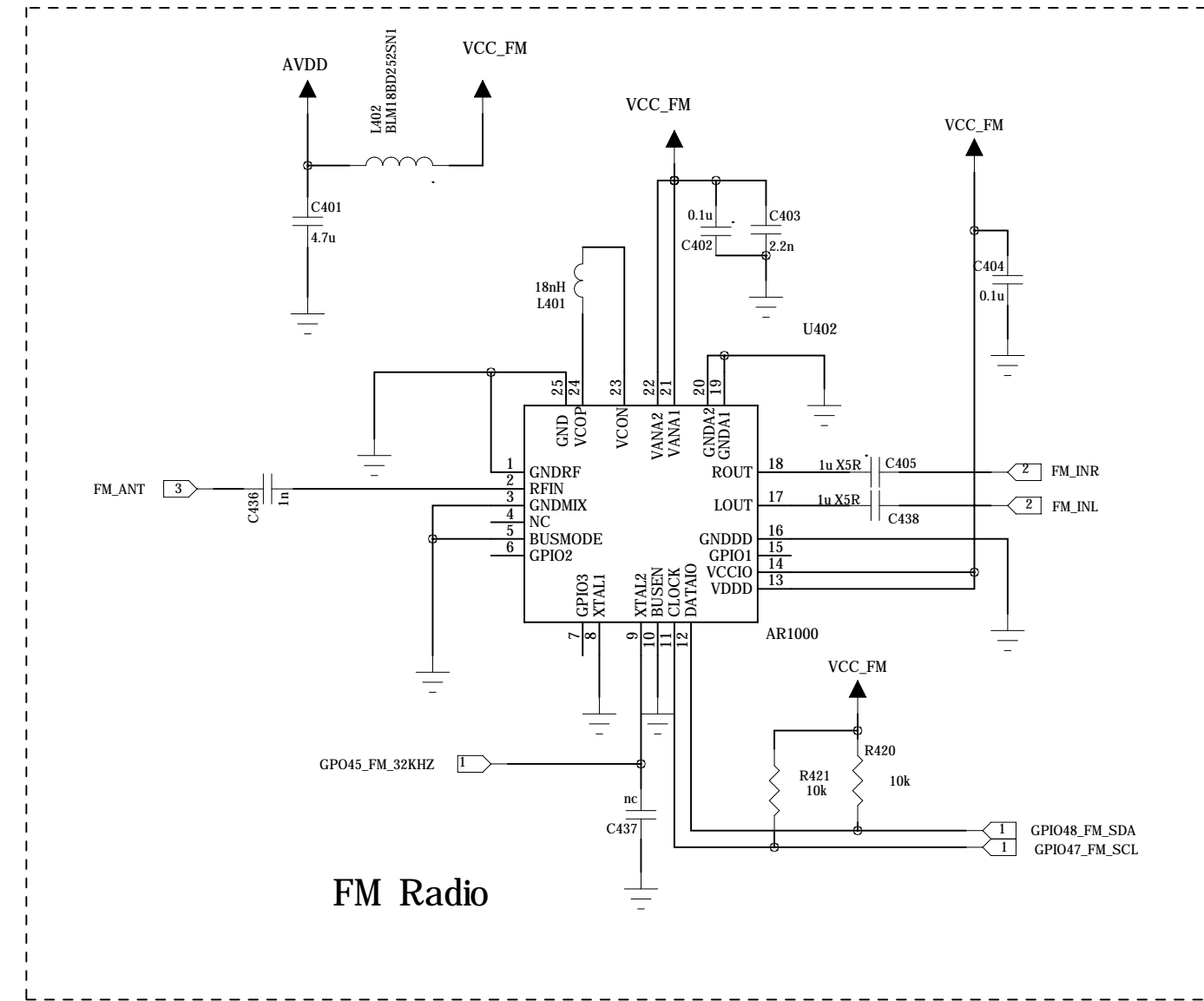
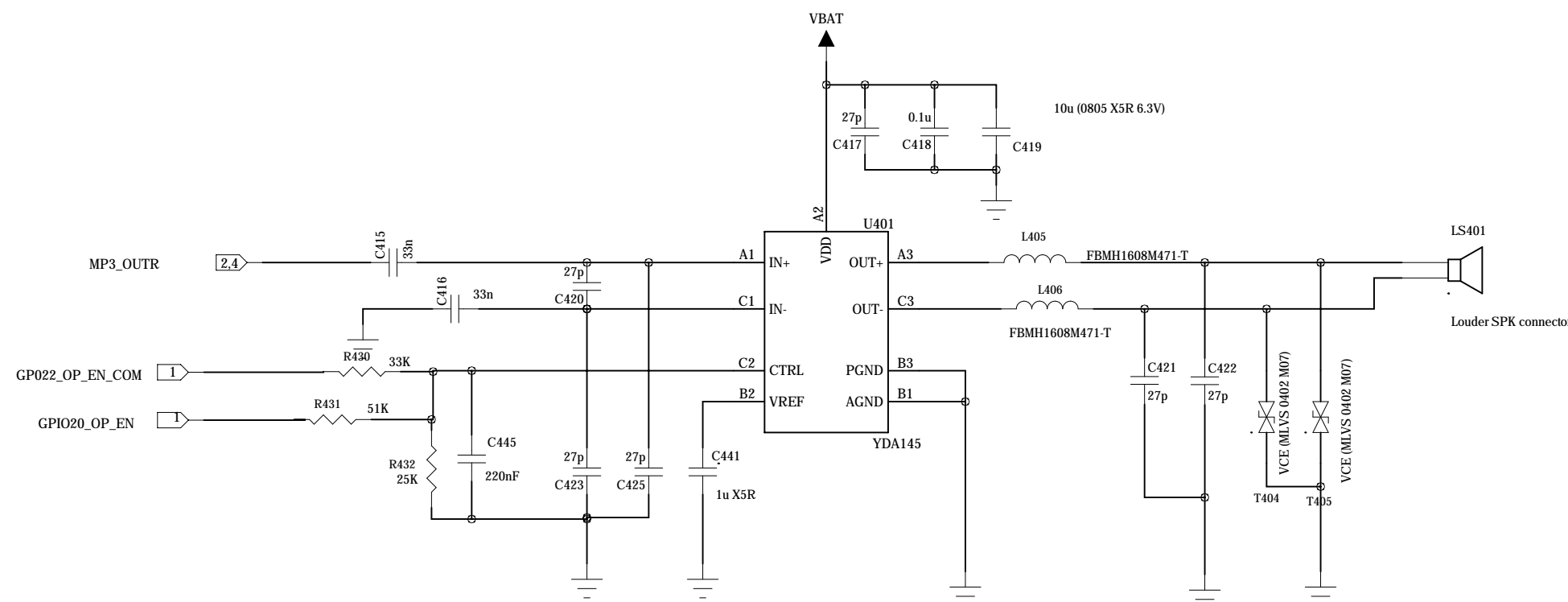
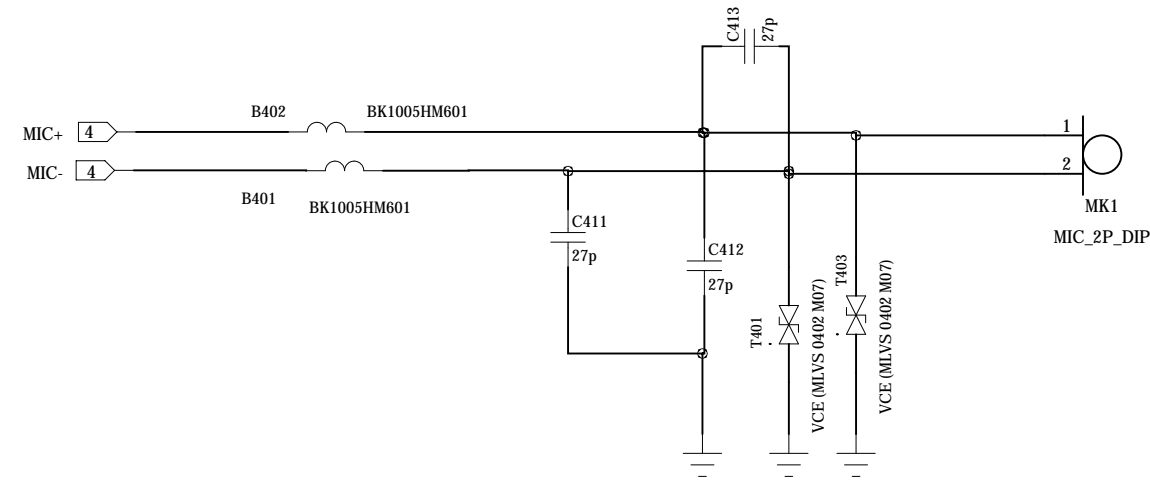
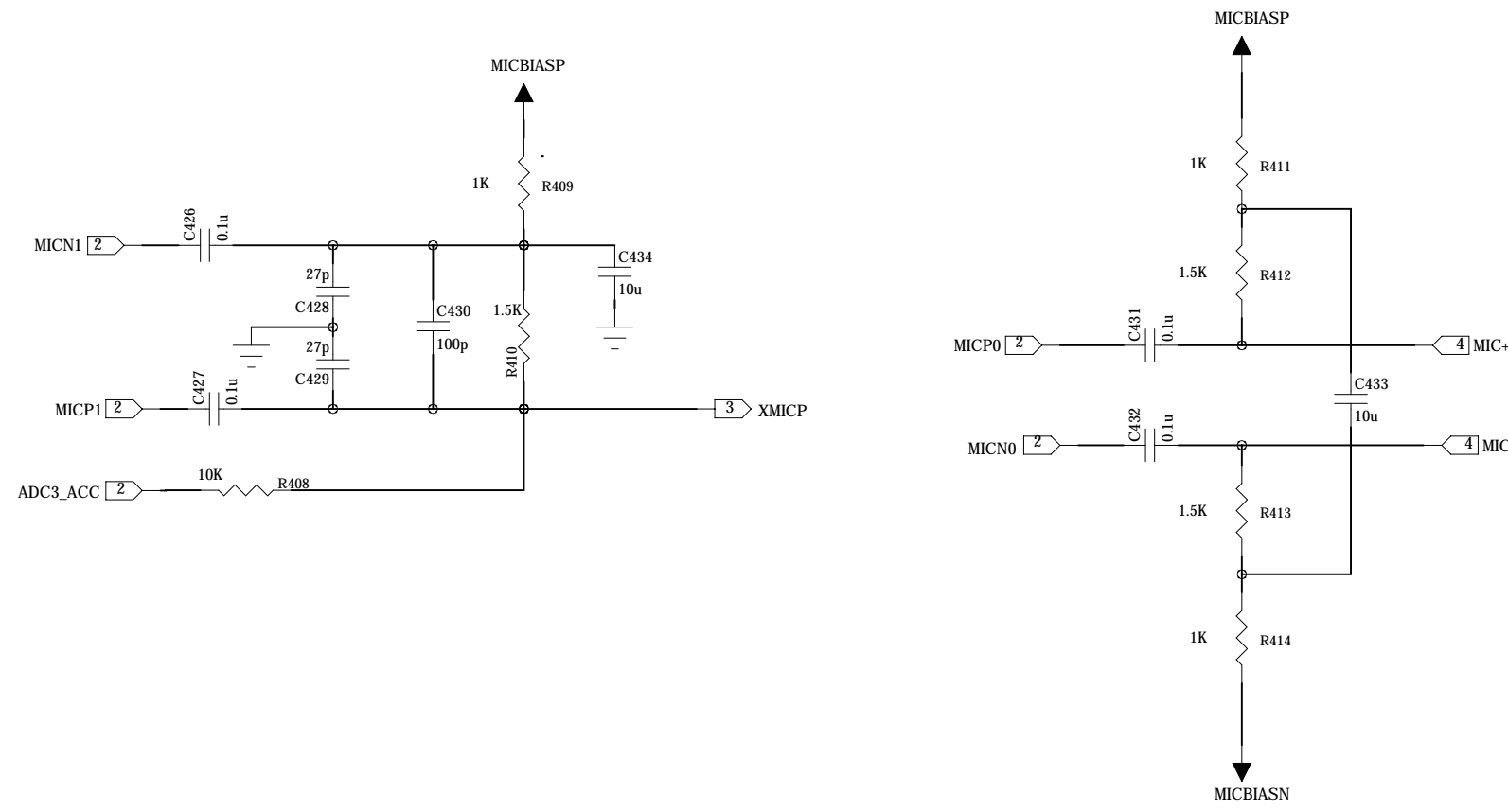
4

3

2

1

REVISION RECORD			
LTR	ECO NO.	APPROVED:	DATE:



COMPANY: TINNO MOBILE TECHNOLOGY CO.,LTD

TITLE: E760 AUDIO

DRAWN: yiyunjie	DATED: 20100208
CHECKED: MARK XIA	DATED: 20100210
QUALITY CONTROL: <QC By>	DATED: 20100208
RELEASED: mark xia	DATED: 20100210

CODE: E760	SIZE: C	DRAWING NO: E760	REV: 0.1
SCALE: <Scale>			SHEET: 4 of 9

6 5 4 3 2 1

REVISION RECORD			
LTR	ECO NO.	APPROVED:	DATE:

COMPANY: **TINNO MOBILE TECHNOLOGY CO.,LTD**

TITLE: **E760 RF_AD6548_RF7166**

DRAWN: yiyunjie	DATED: 20100208
CHECKED: MARK XIA	DATED: 20100210
QUALITY CONTROL: <QC By>	DATED: 20100208
RELEASED: mark xia	DATED: 20100210

CODE: E760	SIZE: C	DRAWING NO: E760	REV: 0.1
-------------------	----------------	-------------------------	-----------------

SCALE: <Scale> SHEET: 5F 9

6

5

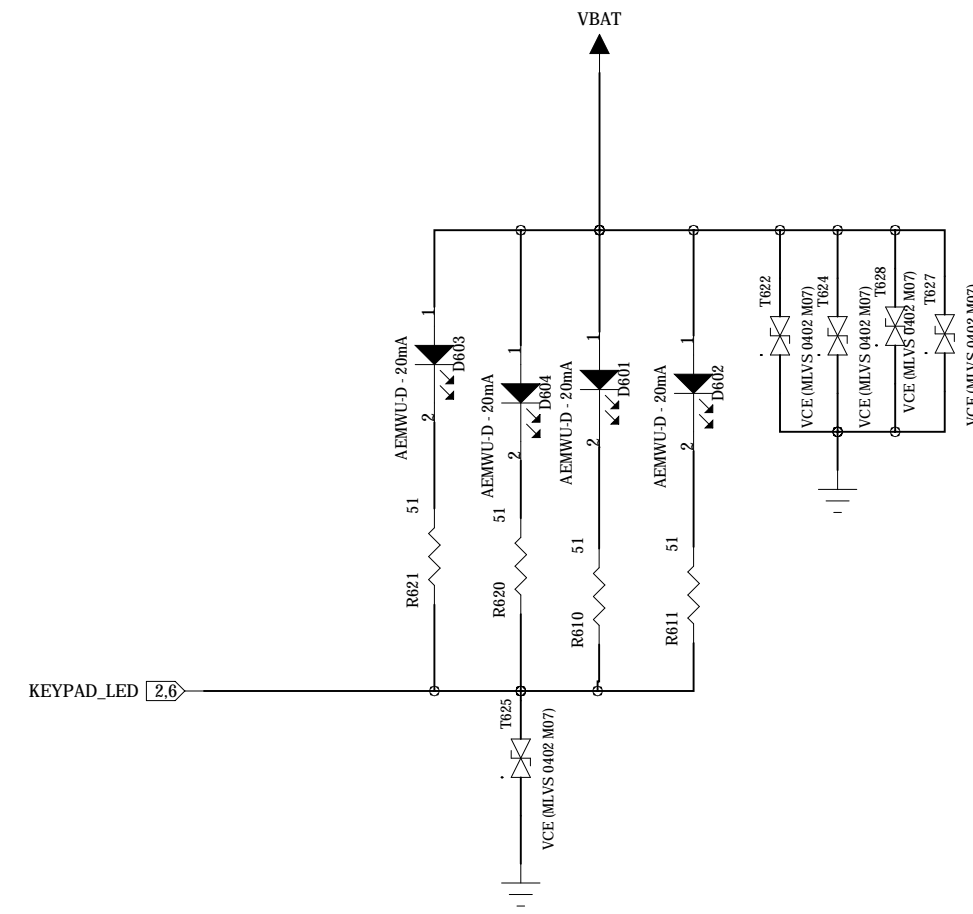
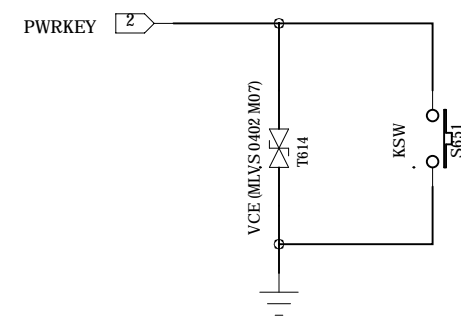
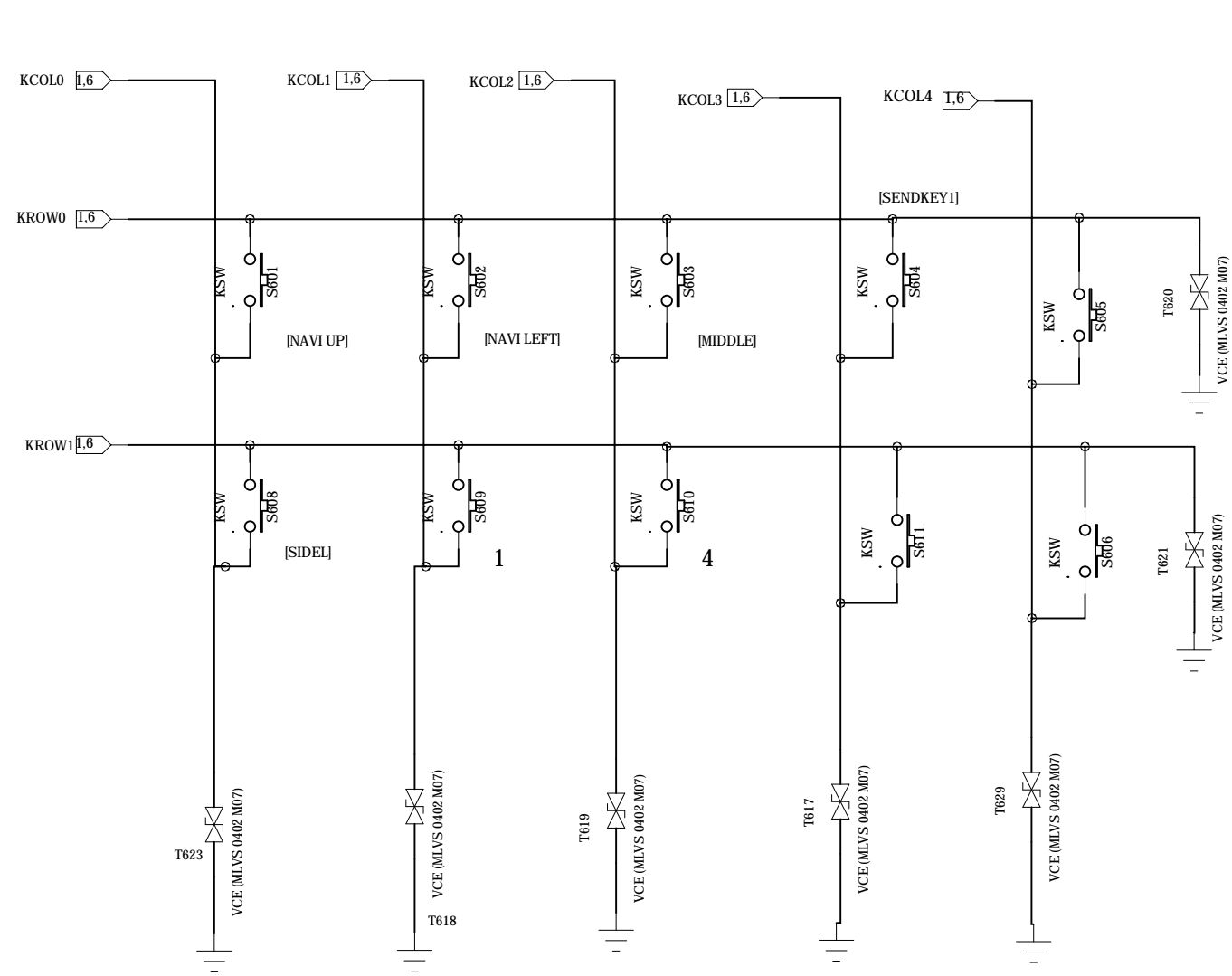
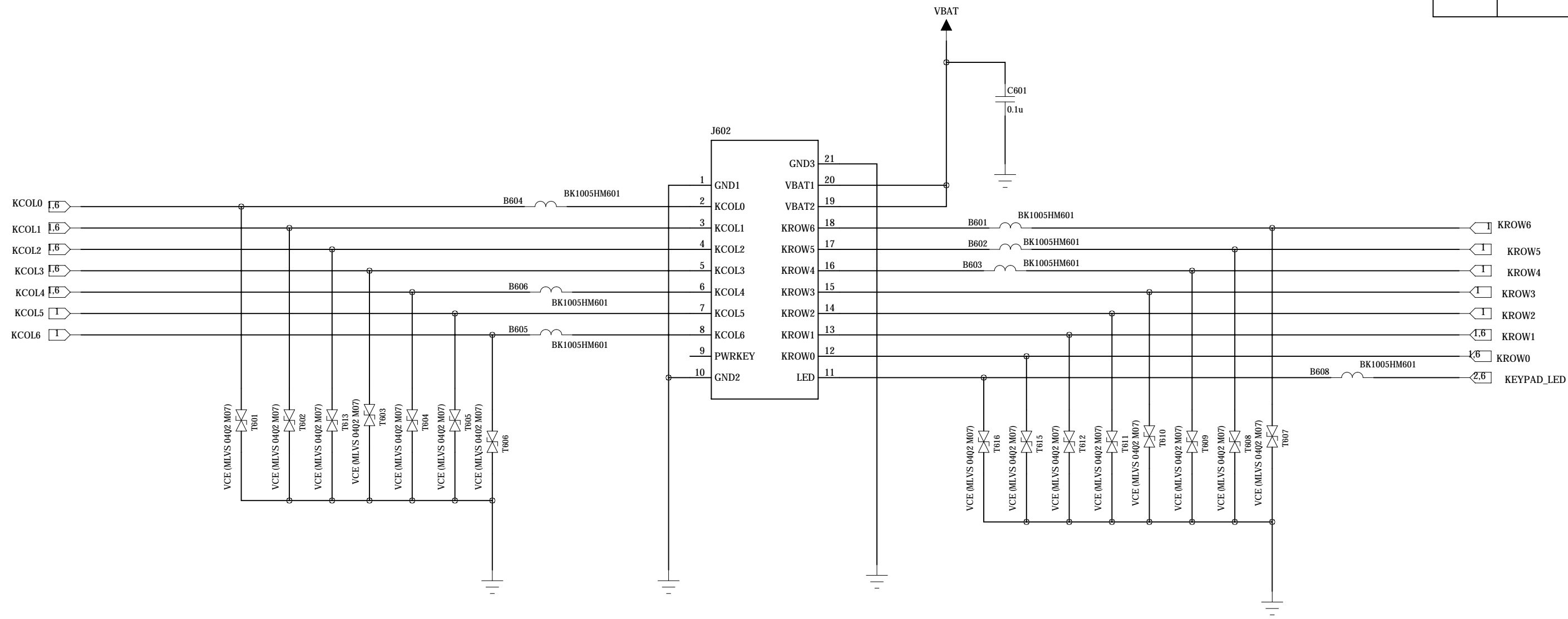
4

3

2

1

REVISION RECORD			
LTR	ECO NO.	APPROVED:	DATE:



COMPANY: **TINNO MOBILE TECHNOLOGY CO.,LTD**

TITLE: **E760 KEYPAD**

DRAWN: yiyunjie	DATED: 20100208
CHECKED: MARK XIA	DATED: 20100210
QUALITY CONTROL: <QC By>	DATED: 20100208
RELEASED: mark xia	DATED: 20100210

CODE: E760	SIZE: C	DRAWING NO: E760	REV: 0.1
SCALE: <Scale>			SHEET: 6f 9

6

5

4

3

2

1

REVISION RECORD			
LTR	ECO NO.	APPROVED:	DATE:

D

D

C

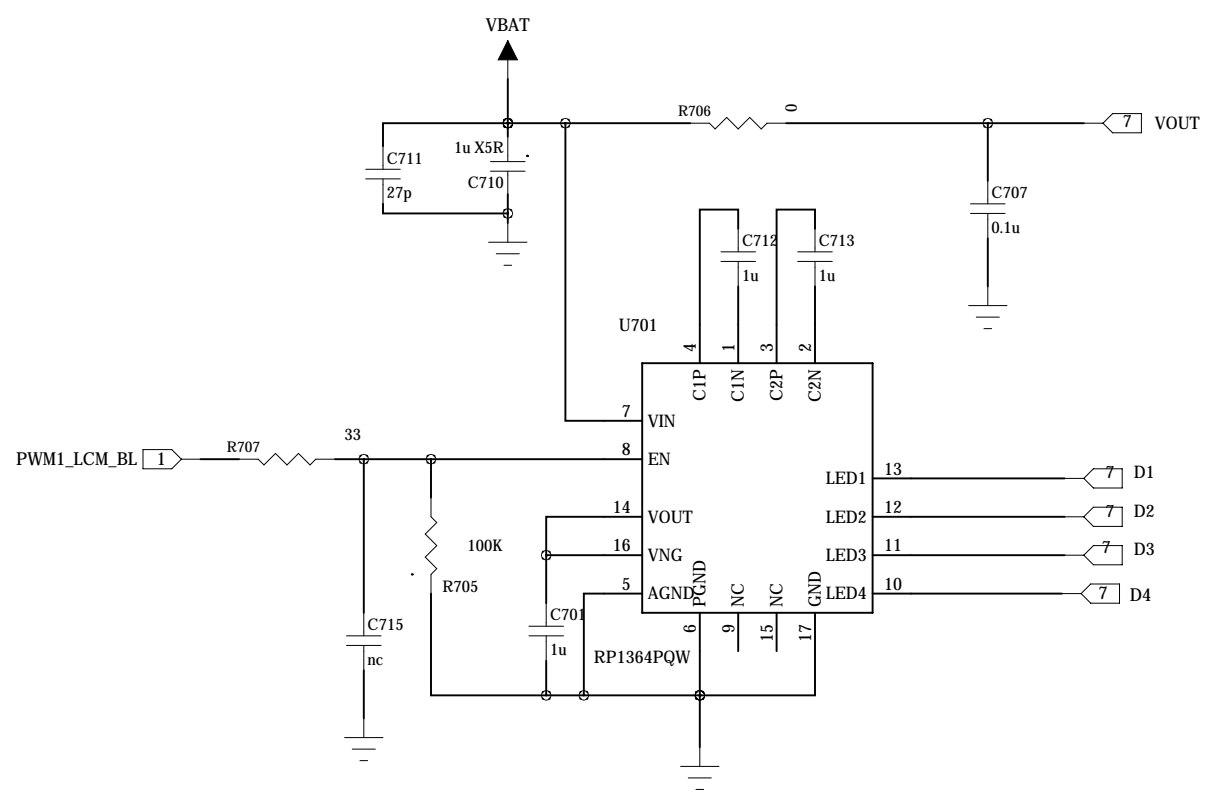
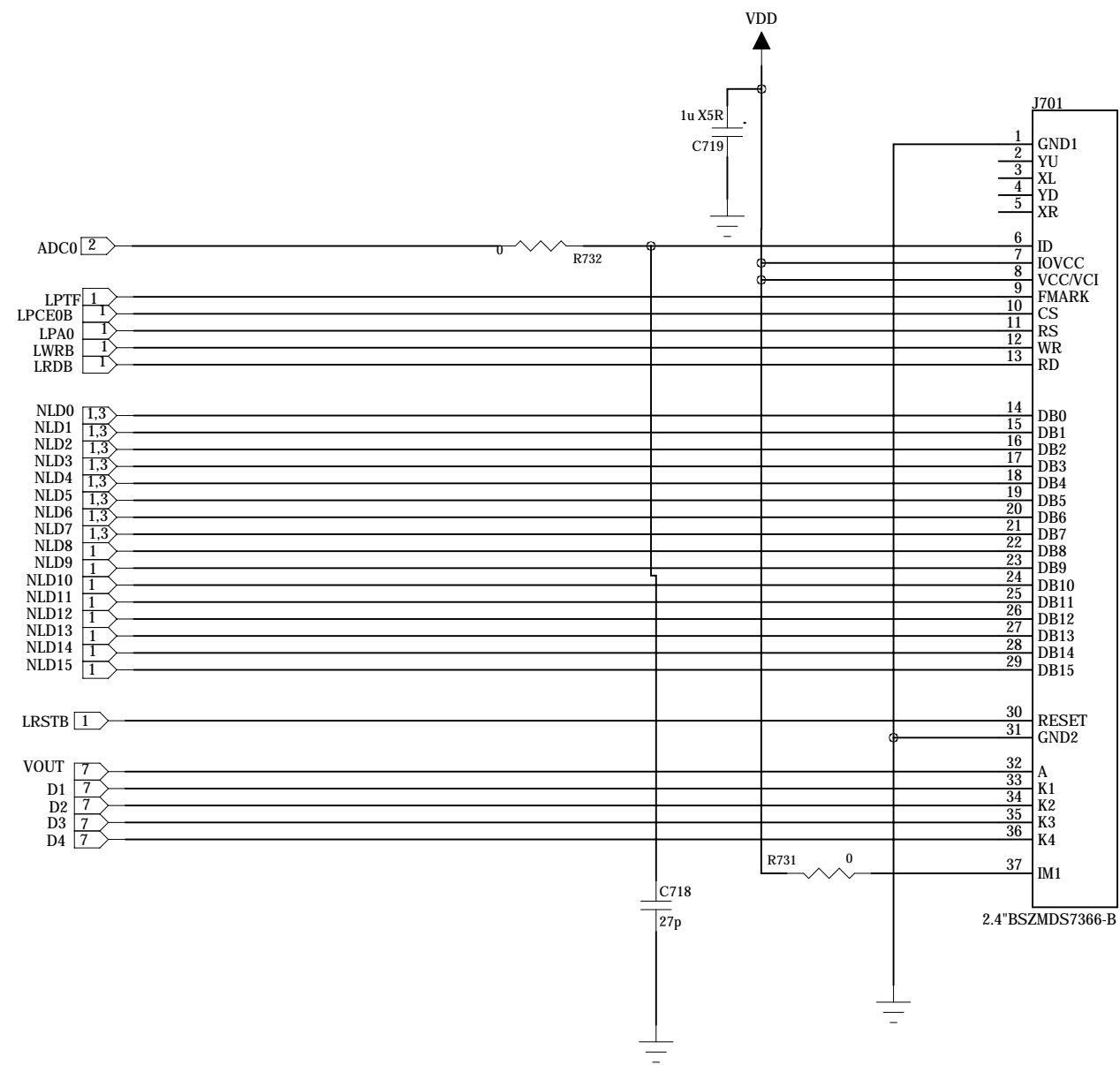
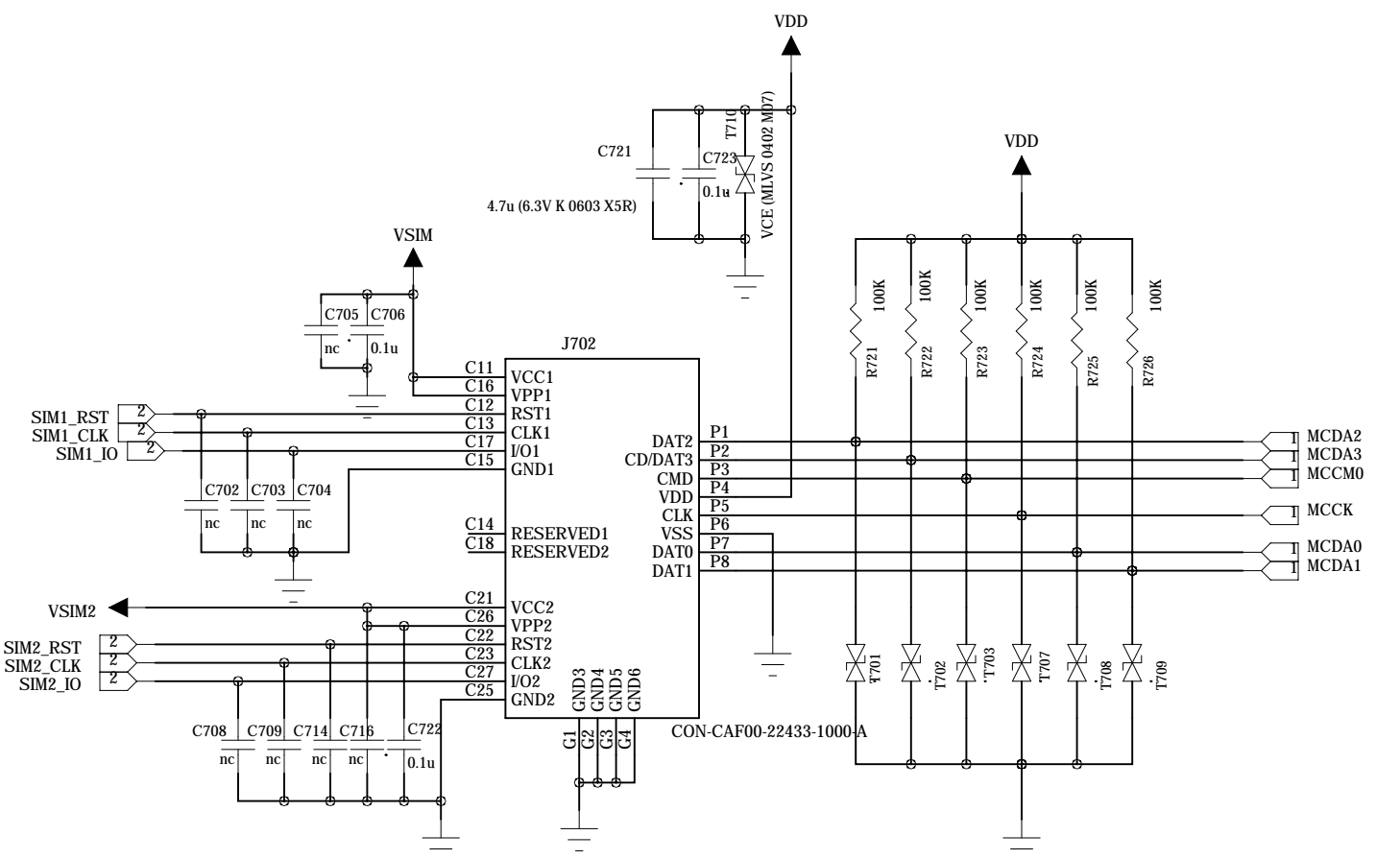
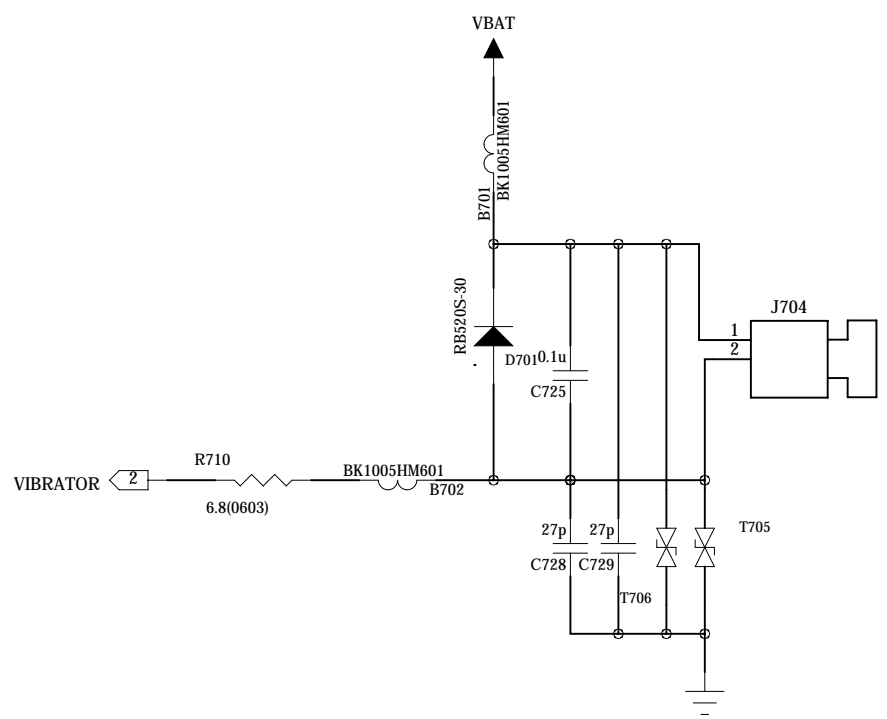
C

B

B

A

A



DRAWN:	yiyunjie	DATED:	20100208
CHECKED:	MARK XIA	DATED:	20100210
QUALITY CONTROL:	<QC By>	DATED:	20100208
RELEASED:	mark xia	DATED:	20100210

COMPANY: TINNO MOBILE TECHNOLOGY CO.,LTD			
TITLE: E760 LCM,SIM			
CODE:	SIZE:	DRAWING NO:	REV:
E760	C	E760	0.1
SCALE: <Scale>			SHEET: 7F 9

6

5

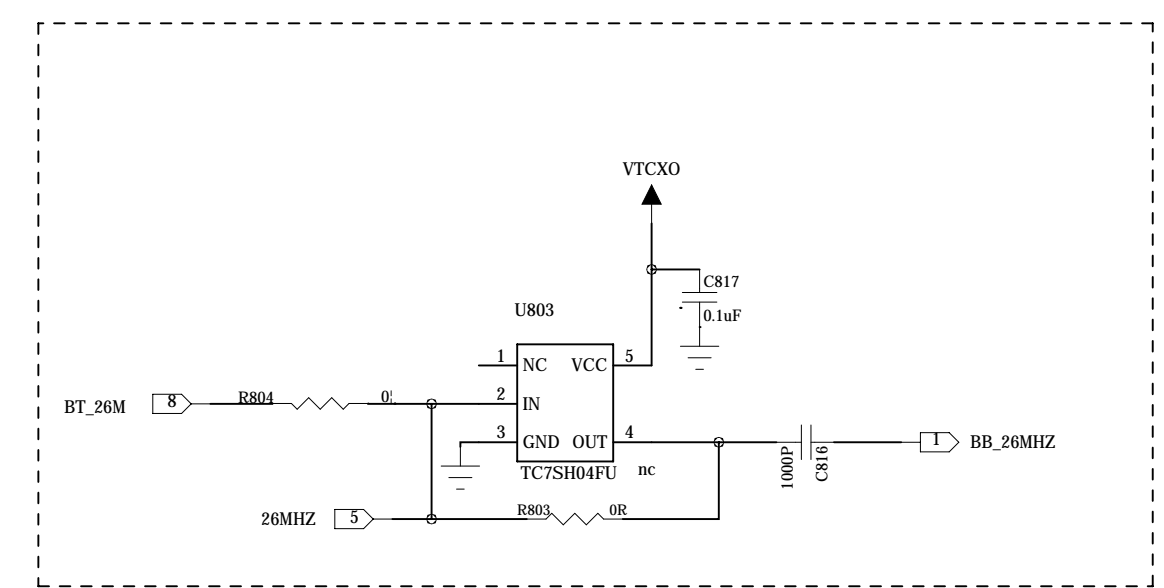
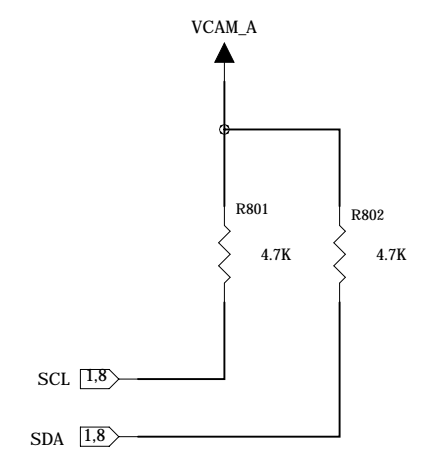
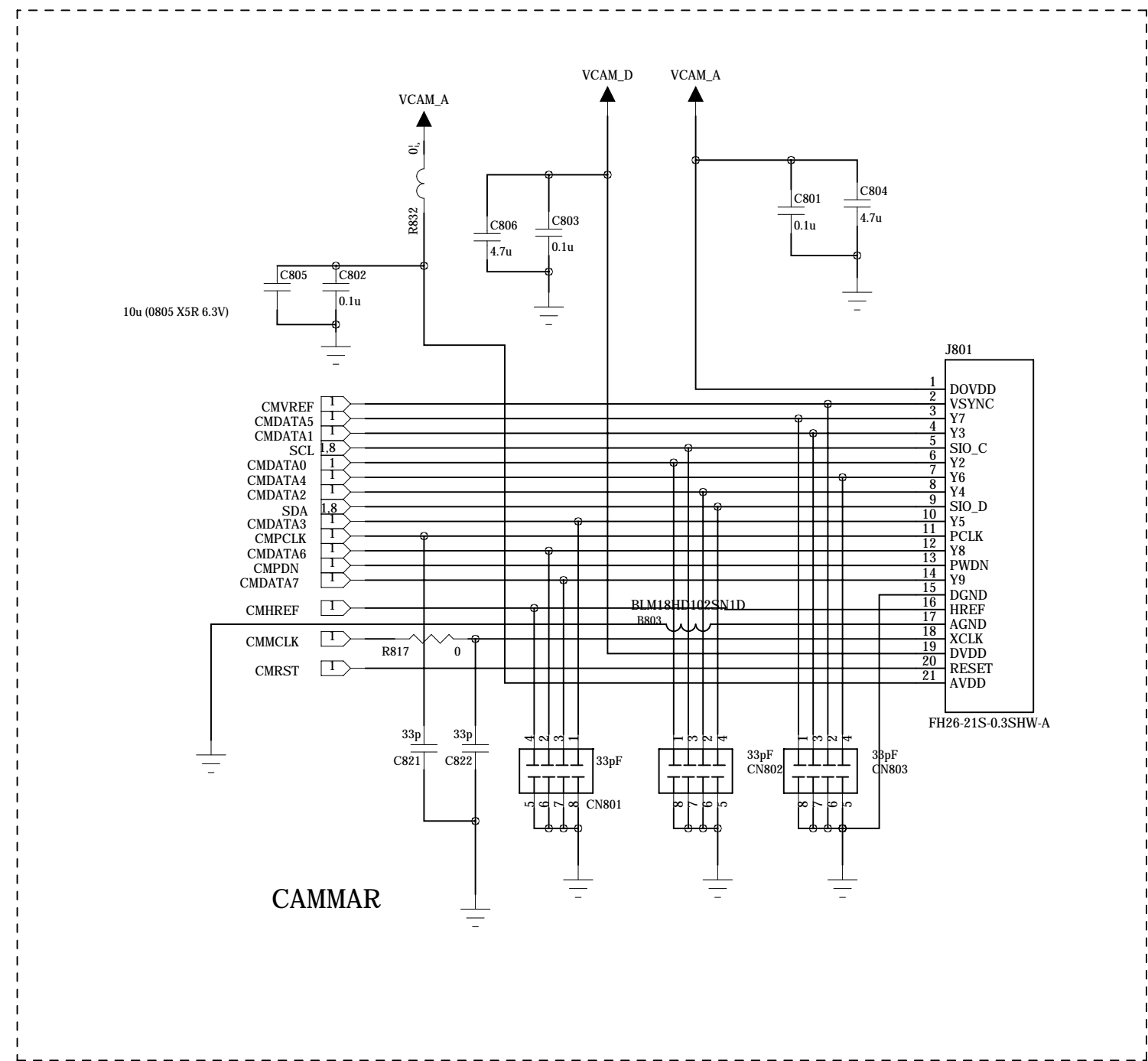
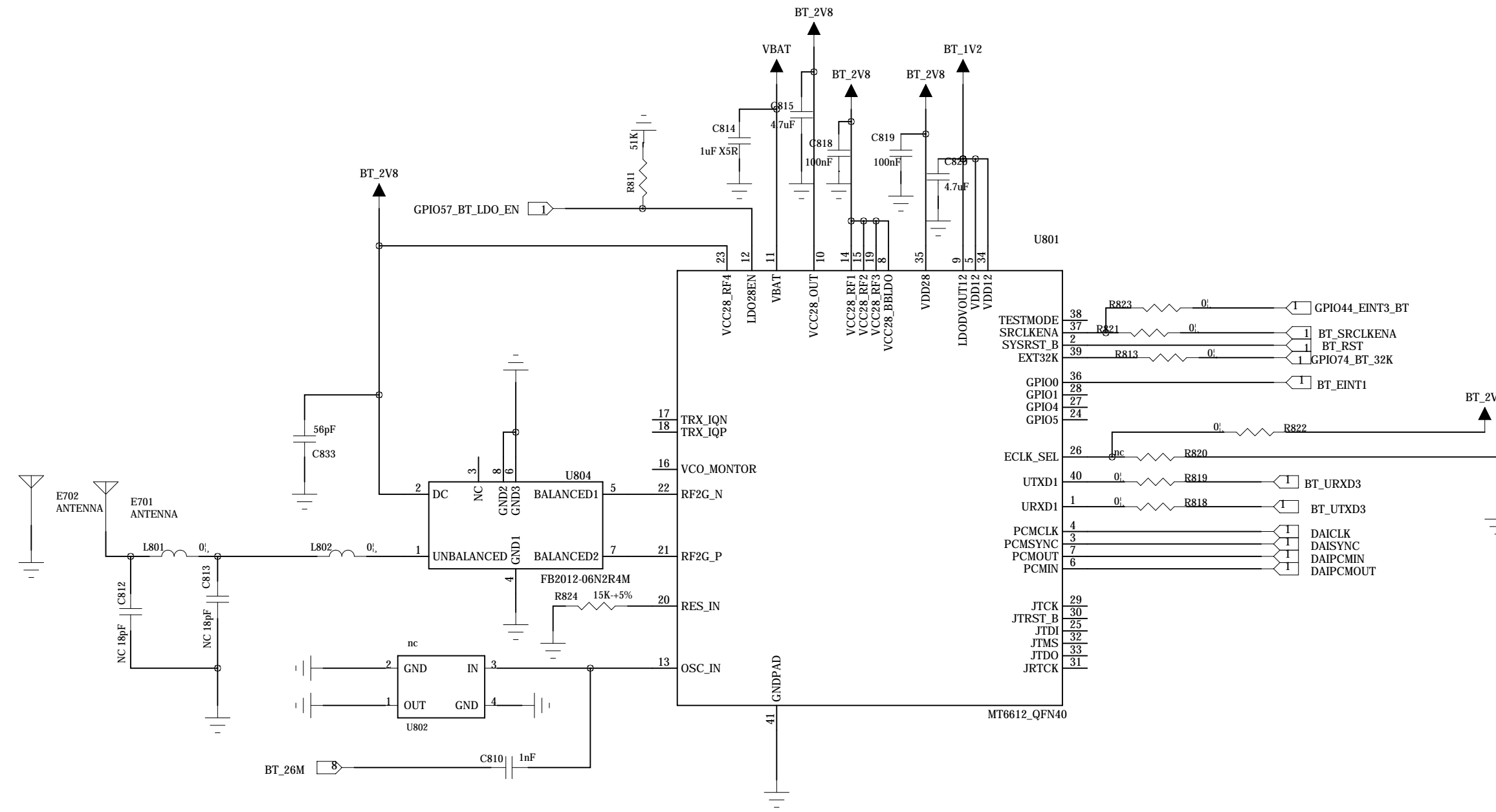
4

3

2

1

REVISION RECORD			
LTR	ECO NO:	APPROVED:	DATE:



- 1 (H1) NHOLE60A
- 1 (H2) NHOLE60A
- 1 (H3) NHOLE60A
- 1 (H4) NHOLE60A
- 1 (H5) NHOLE60A
- 1 (H6) NHOLE60A

COMPANY: TINNO MOBILE TECHNOLOGY CO.,LTD			
TITLE: E760 BT,CAMMAR			
DRAWN: yiyunjie	DATED: 20100208	CODE: E760	SIZE: C
CHECKED: MARK XIA	DATED: 20100210	DRAWING NO: E760	REV: 0.1
QUALITY CONTROL: <QC By>	DATED: 20100208	SHEET: 8 of 9	
RELEASED: mark xia	DATED: 20100210	SCALE: <Scale>	

6

5

4

3

2

1

REVISION RECORD			
LTR	ECO NO:	APPROVED:	DATE:

E570 V1.0 20100309

1.ADD R613 R614 R615

D

D

C

C

B

B

A

A

COMPANY: **TINNO MOBILE TECHNOLOGY CO.,LTD**

TITLE: **E760**

DRAWN: yyunjie	DATED: 20100208
CHECKED: MARK XIA	DATED: 20100210
QUALITY CONTROL: <QC By>	DATED: 20100208
RELEASED: mark xia	DATED: 20100210

CODE: E760	SIZE: C	DRAWING NO: E760	REV: 0.1
SCALE: <Scale>			SHEET: 9 of 9